

MODULA RND

Inground Light



Description

The MODULA luminaire provides a practical solution for all inground lighting applications including pathways, driveways, courtyards and decks. Utilising a solid aluminium CNC machined external fascia plate in anodised Titanium finish coupled with a 6063 graded aluminium body in a black anodised finish.

The MODULA recessed inground luminaire utilises the latest in Citizen COB technology offering unsurpassed performance and optical lighting control. A polycarbonate housing is provided for concrete applications. The MODULA is a fantastic addition when used as a source for tree up lighting or external fascia, garden walls.

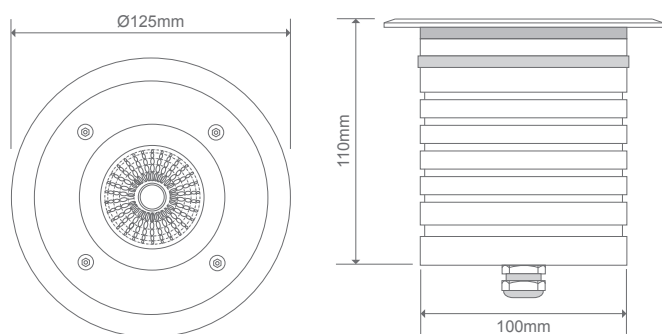


Specification Features

- Input Voltage: 24V DC*
- Power (W): 9W
- IP rating (IP): 65
- Lumens (lm): Warm White 3000K - 900lm
White 5000K - 950lm
- LED type: Citizen COB
- CCT: 3000K - 5000K
- CRI: ≥83
- Beam angle (°): 45°
- Dimmable: No
- Lifespan (hrs): 50,000hrs
- Cutout (∅): ∅105mm

*Requires 24V DC Constant Voltage LED Driver - Wire in Parallel.

Diagrams / Additional



- Order Code: 19420
- Product Code: MODULA-RND-WW
- Colour: Anodised Aluminium - Warm White 3000K
- Order Code: 19421
- Product Code: MODULA-RND-W
- Colour: Anodised Aluminium - White 5000K